



AQUAPOINTE PFSZEBFY QUASAR AQUAPOINTE PFSZEBQY

Contactless, Non-Refrigerated
Bottle Filler

The Bottle Filling Station is perfect for those high traffic areas. With a contactless, touch-free activation - there are no fears of cross-contamination.

Designed for urban settings, the sloped top prevents trash being placed on the unit. Additionally, the powder-coat steel finish is highly-durable. This unit can be installed right against the wall to save-space.

The unit is easily serviceable with a top a bottom door for quick access to the filters, electronics and the chiller.

The Bottle Filling Station is comes as standard in white. OASIS is offering custom colours or wrapping - offering commercial value.

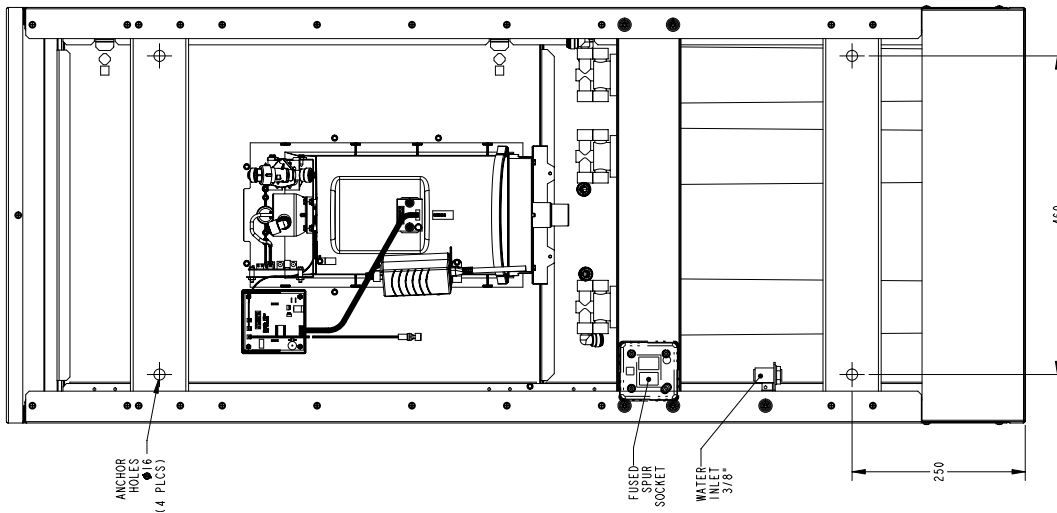
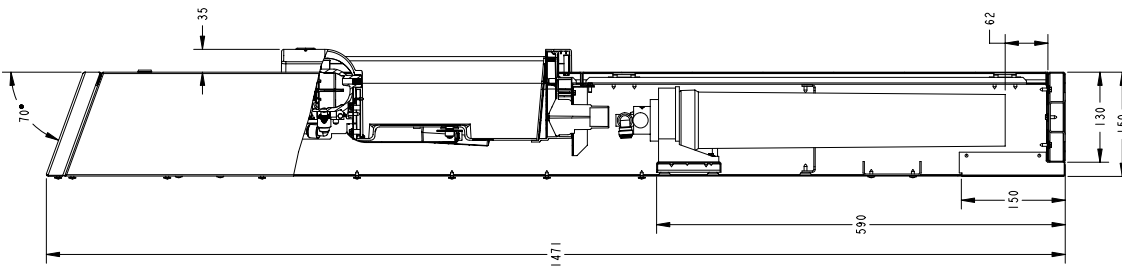
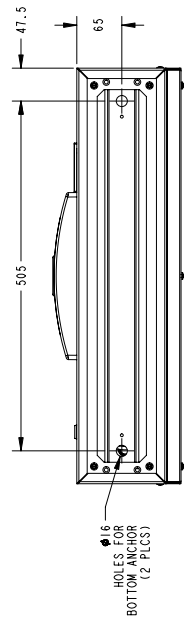
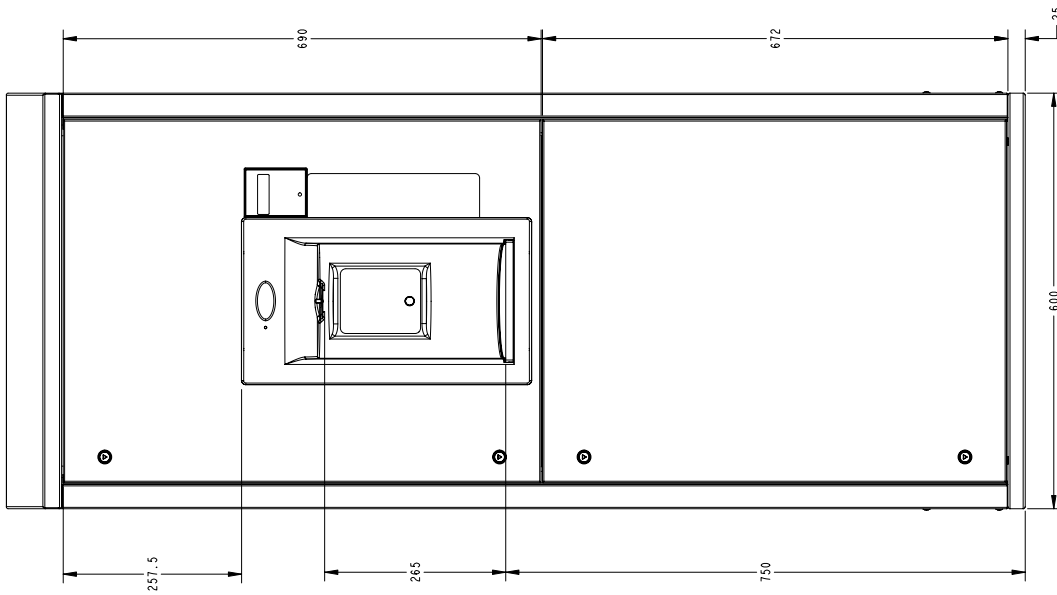
Chilled and Non-chilled models are available both with or without Quasar; our UVC LED that kills 99.99% of bacteria at the point of dispense.



NON-CHILLED

| MODEL CODE | PFSZEBFY | PFSZEBQY |
|---------------------|---|----------------|
| ACTIVATION | Contactless (Infrared sensor) | |
| SENSOR COVERAGE | Up to 5cm (approx.) | |
| FILTRATION | OASIS Green Filter (optional), built-in 100 micron strainer | |
| DISINFECTION | - | Quasar UVC LED |
| FLOW RATE | 4.2 LPM | |
| DRAINAGE TYPE | Built-In Drain, Removable drip-tray | |
| COLOUR | Standard White; Optional custom colours or wrapping. | |
| EXTERIOR | ABS Plastic, Powder Coated Steel | |
| CHASSIS | Heavy duty galvanised steel | |
| DIMENSIONS | 150(D) x 600(W) x 1470(H) [mm] | |
| ALCOVE HEIGHT | 265 mm | |
| NET WEIGHT | 25 kg | |
| INPUT POWER | 220-240V, 50/60 Hz | |
| COOLING PERFORMANCE | - | |
| TOTAL CURRENT | 0.1 A | |
| POWER CONS. | 7 W | |
| COUNTRY OF ORIGIN | Poland | |
| CERTIFICATIONS | CE (LVD, EMC, RoHS) | |
| WARRANTY | 1 Year | |

**NON-CHILLED
PFSZEBFY & PFSZEBQY**



BACKPLATE NOT SHOWN
FOR CLARITY



www.oasis.ie
www.oasisbottlefillers.com
info@oasis.ie

OASIS IRELAND
Bunree Industrial Estate, Ballina,
Co. Mayo, F26 D5R3, Ireland.
+353 96 71222

OASIS POLAND
ul. Gutenberga 20,
44-164, Gliwice, Poland
+48 32 332 65 01



CONTACTLESS
WATER
OASIS